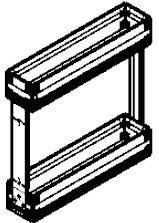
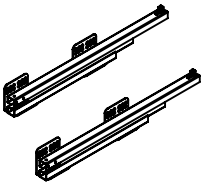
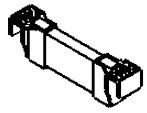
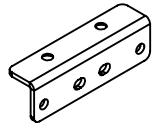
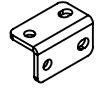


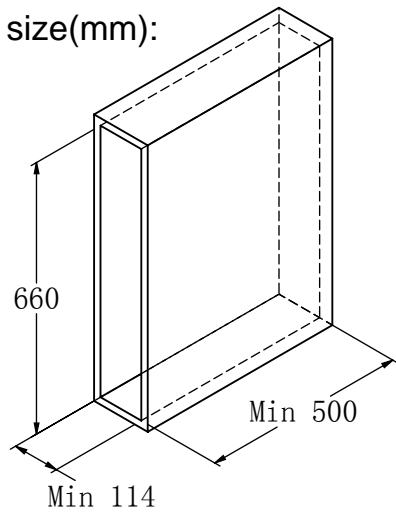


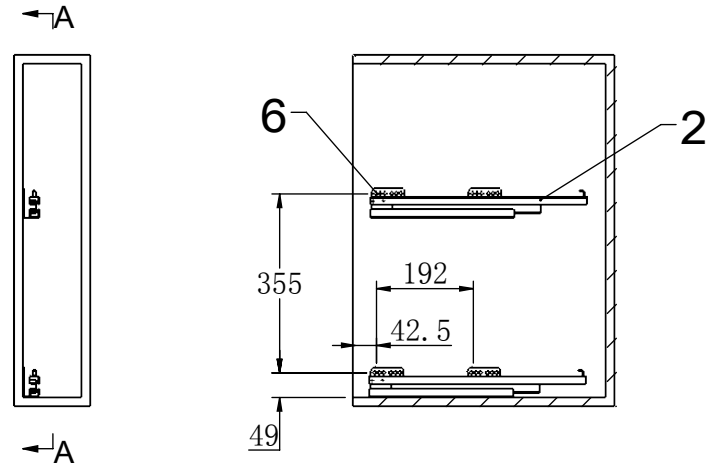
1. Accessories list:

<p>1</p>  <p>1 PCS</p>	<p>2</p>  <p>2 PCS</p>	<p>3</p>  <p>6 PCS</p>
<p>4</p>  <p>1 PCS</p>	<p>5</p>  <p>1 PCS</p>	<p>6</p>  <p>20 PCS</p>
<p>7</p>  <p>10 PCS</p>		

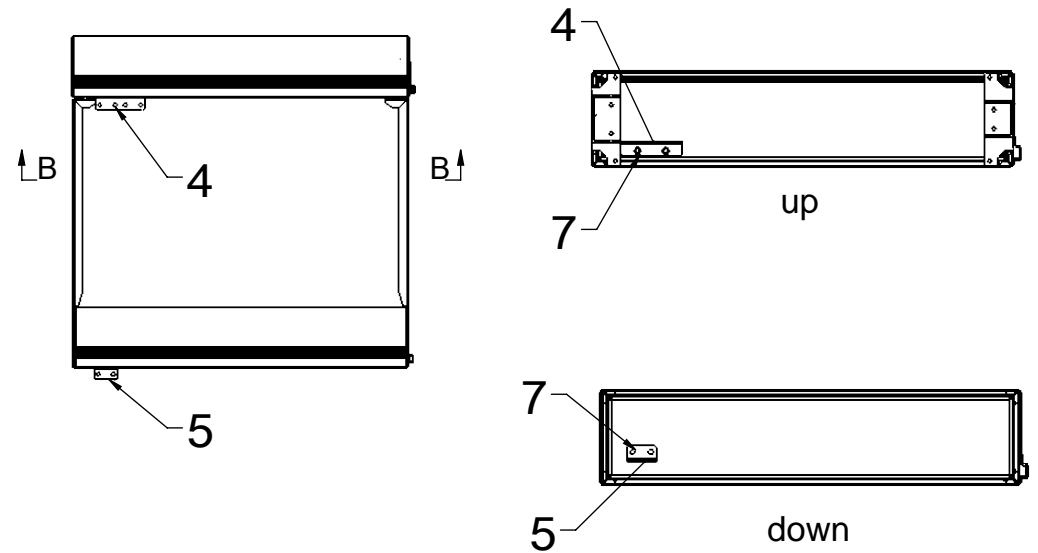
2. Suitable cabinet size(mm):

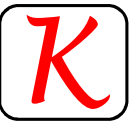


3. Install the slide:

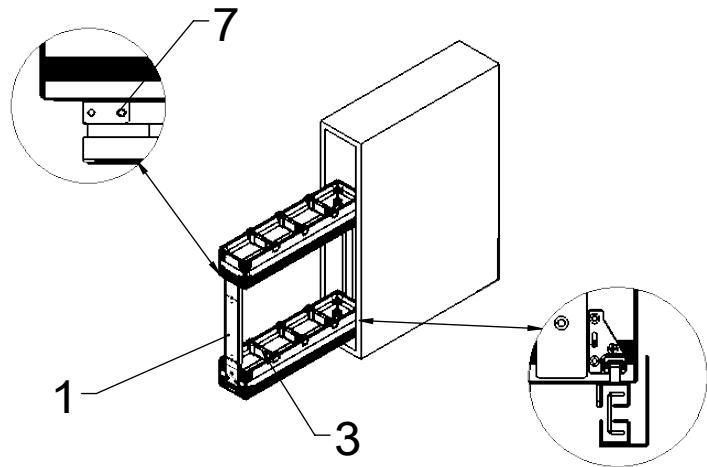


4. Fixing the rail fastener:

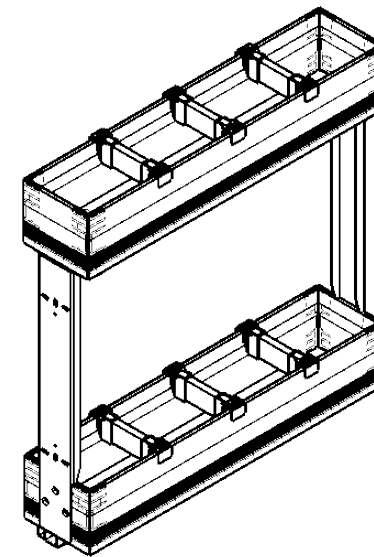




5. Install the basket:



Aluminum alloy drawing basket  
installation



150mm

6. Fixing the door:

